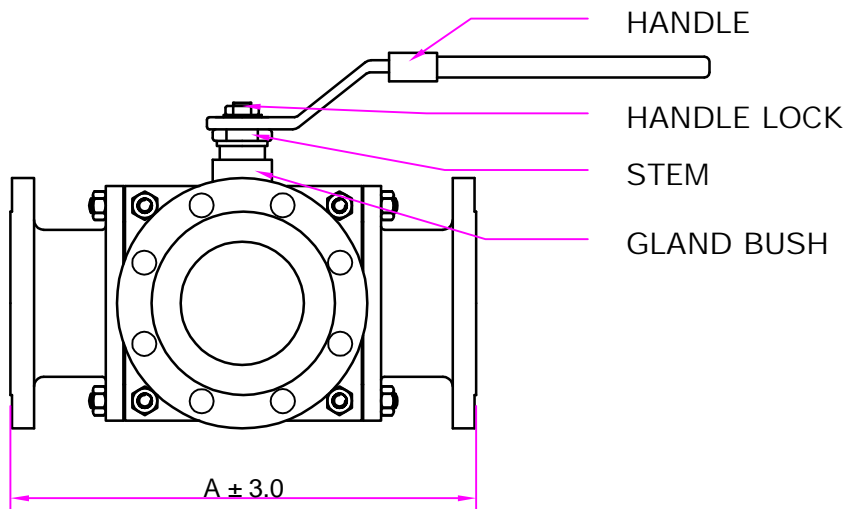
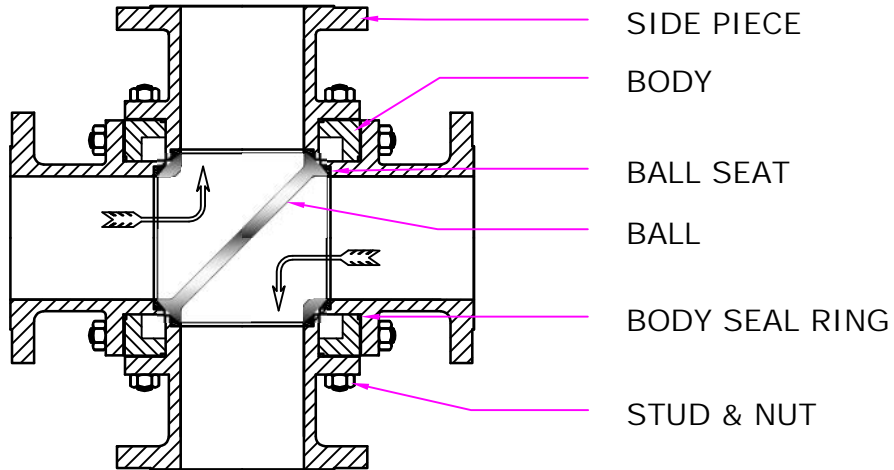


# 4 WAY BALL VALVE

OPERATION :- MANUAL

APPLICABLE STANDARD :

MFG. STD. :- BS 5351 / API 608  
 Testing std. :- BS 5146 / API 598  
 Face to Face :- ANSI B 16.10  
 Drilling :- ANSI B 16.5  
 END CONN. :- FLANGED END



VALVE SIZE - INCH	1/2"	3/4"	1"	1.5"	2"	2.5"	3"	4"	6"	8"	10"	12"	
VALVE SIZE - MM	15	20	25	40	50	65	80	100	150	200	250	300	
A	150 #	108.0	117.5	127.0	165.0	178.0	190.5	203.0	228.0	266.0	292.0	330.0	356.0
	300 #	140.0	152.0	165.0	190.5	216.0	241.0	283.0	305.0	403.0	419.0	457.0	501.5



## FLOW-TEK VALVES & CONTROLS INC

PLOT NO: 172-173, ROAD NO. 4, G.I.D.C.,  
 KATHWADA, AHMEDABAD - 382430  
 (M) : 09824080899, 09824539702  
 PHONE : (079) 22900220, 22900219  
 E-MAIL : info@flowagevalves.com, hemal21386@gmail.com  
 url : www.delugecontrolvalve.com, www.flowagevalves.com  
 AN ISO 9001:2008 CERTIFIED COMPANY